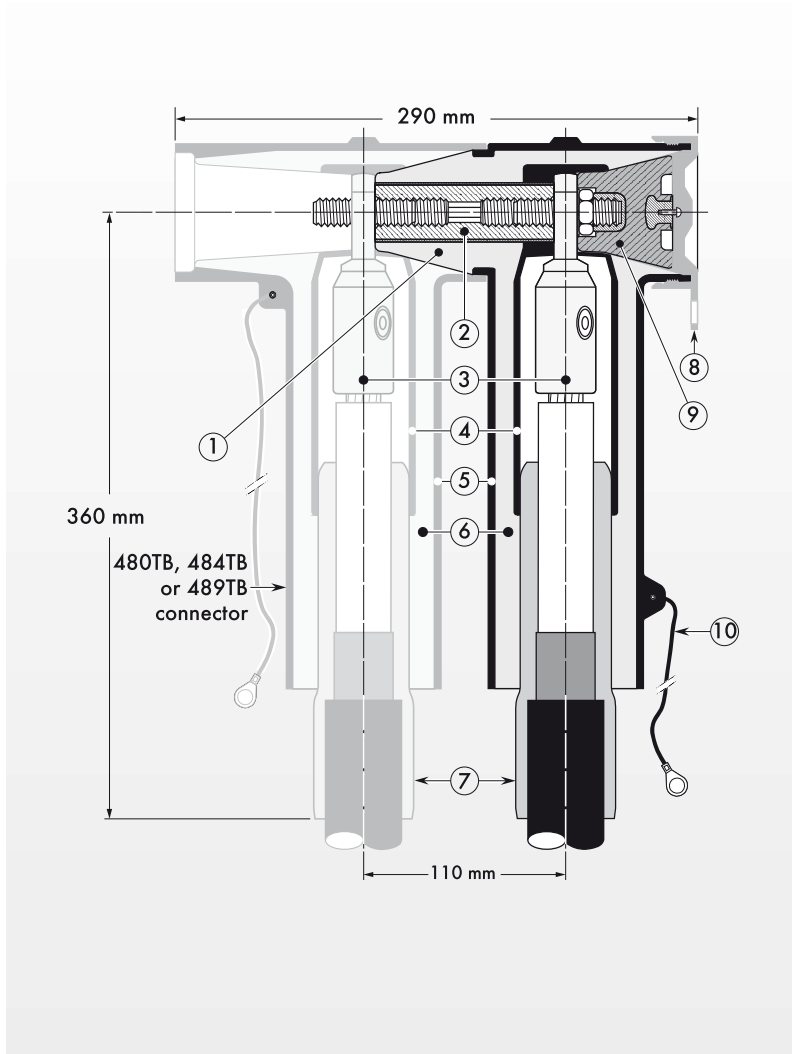


COUPLING CONNECTOR AMV-C (K)(M)(P) 804PB

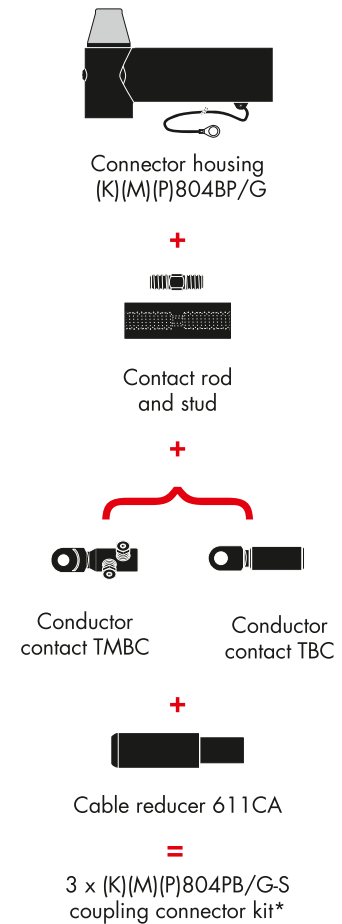
UP TO 42 KV - 1250 A

AMV-C 19



Ordering instructions

The complete (K)(M)(P)804PB/G coupling connector kit comprises 3 x the following components:



Separable connector type	Voltage Um (kV)	Current Ir (A)	Conductor sizes (mm ²)	
			min.	max.
AMV-C-804PB/G	12	1250	50	630
AMV-C-K804PB/G	24	1250	35	630
AMV-C-M804PB/G	36	1250	35	630
AMV-C-P804PB/G	42	1250	35	630

Separable connector comprising:

- ① Interface designed to fit 480TB, 484TB and 489TB connector.
- ② Bus for 804PB.
- ③ Conductor connector (hexagonal crimping, deep indent crimping or bolted).
- ④ Conductive EPDM insert.
- ⑤ Conductive EPDM jacket.
- ⑥ Insulating EPDM layer moulded between the insert and the jacket.
- ⑦ Cable reducer.
- ⑧ Conductive EPDM cap.
- ⑨ Basic insulating plug (with VD point).
- ⑩ Earth lead.

* The kit also comprises silicone grease, field control mastic, gloves, roll adhesive tape, installation instructions and crimp chart.